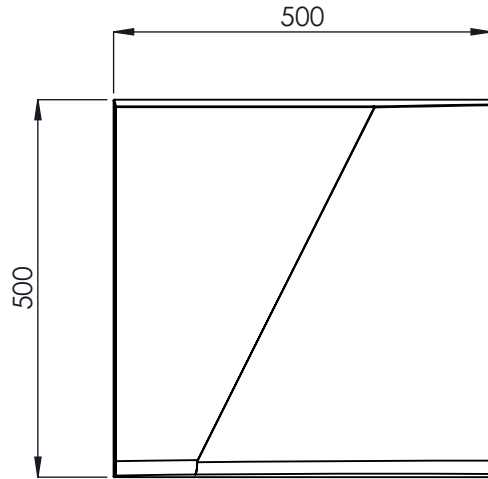
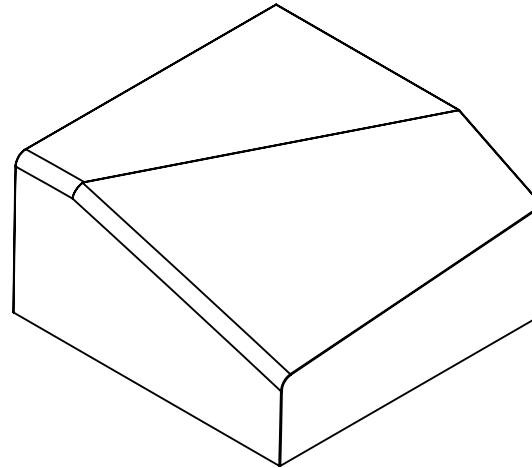


Dutch Entrance Kerb LH Dropper



ISOMETRIC VIEW
N.T.S.

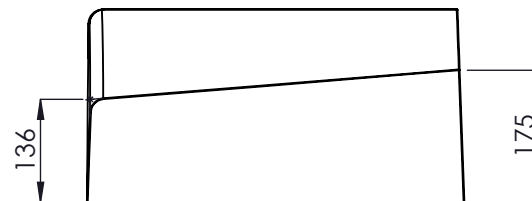
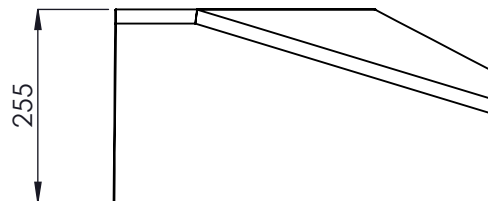


MATERIAL

Concrete

APPROX. WEIGHT

130kg



FURTHER INFORMATION

Installation, cleaning and maintenance details are available on request.

DRAWING INFORMATION

DRAWN BY: IJ

DATE: 01/05/2026

REVISION: A

SCALE: 1:10 @ A4

SHEET: 1 of 1 All dimensions in Millimeters unless otherwise stated.



CONTACT DETAILS

T: 0345 600 2425

E: landscapeprotection@marshalls.co.uk

www.marshalls.co.uk/commercial