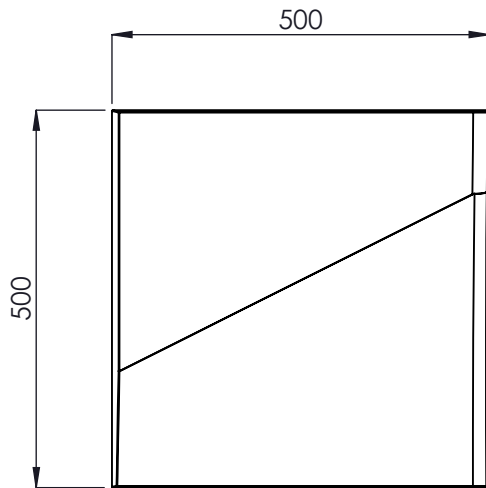
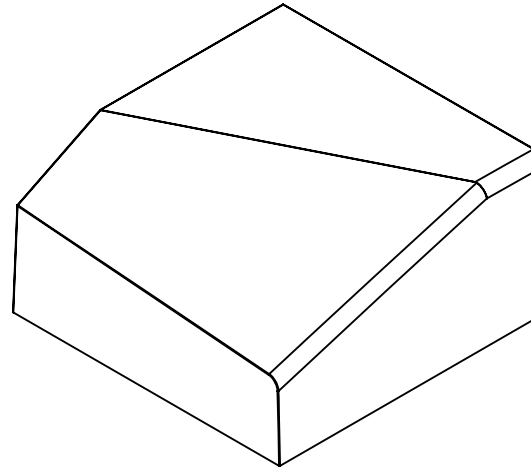


# Dutch Entrance Kerb RH Dropper



ISOMETRIC VIEW  
N.T.S.

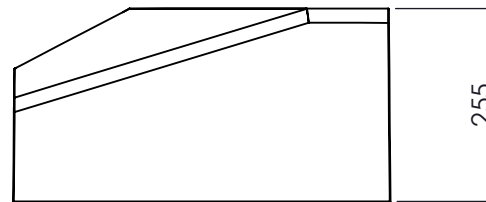
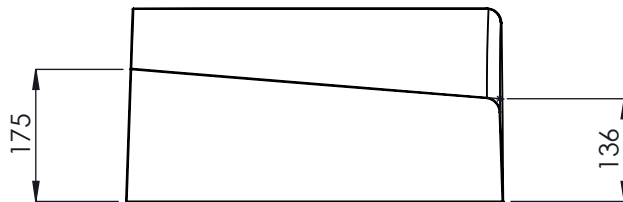


## MATERIAL

Concrete

## APPROX. WEIGHT

130kg



## FURTHER INFORMATION

Installation, cleaning and maintenance details are available on request.

## DRAWING INFORMATION

DRAWN BY: IJ

DATE: 01/05/2026

REVISION: A

SCALE: 1:10 @ A4

SHEET: 1 of 1 All dimensions in Millimeters unless otherwise stated.



## CONTACT DETAILS

T: 0345 600 2425

E: [landscapeprotection@marshalls.co.uk](mailto:landscapeprotection@marshalls.co.uk)

[www.marshalls.co.uk/commercial](http://www.marshalls.co.uk/commercial)