

PRODUCT CLASSIFICATION:
B-FOUNDATION/PASSIVE/BOLLARD
PERFORMANCE RATING:
IWA14-1:2013 BOLLARD
V/7200[N2A]/48/30:1.2

THIS DRAWING IS THE SOLE PROPERTY AND COPYRIGHT OF MARSHALLS STREET FURNITURE AND MAY NOT BE DISCLOSED TO ANY THIRD PARTY OR REPRODUCED IN WHOLE OR IN PART WITHOUT THE PRIOR WRITTEN CONSENT OF AN AUTHORISED REPRESENTATIVE OF THE COMPANY. UNAUTHORISED PARTIAL OR COMPLETE REPRODUCTION, IN EITHER TWO OR THREE DIMENSIONAL FORM, MAY RESULT IN LEGAL ACTION. THE USE OF THIS DRAWING TO OBTAIN QUOTES FROM OTHER SUPPLIERS OTHER THAN MARSHALLS URBAN STRUCTURES MAY RESULT IN LEGAL ACTION.



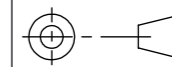
PREMIER WAY
LOWFIELDS BUSINESS PARK
ELLAND
HALIFAX
WEST YORKS
HX5 9HT

TEL: 0870 990 7504

EMAIL: info@marshalls.co.uk

NOTES:

1. ALL DIMENSIONS ARE IN MILLIMETRES UNLESS OTHERWISE STATED.
 2. DO NOT SCALE DRAWING.
 3. ALL CONCRETE TO BE IN ACCORDANCE WITH BS 8500
 4. MIXES TO BE REINFORCED CONCRETE - C30/C40
 5. ALL MATERIAL & WORKMANSHIP TO BE IN ACCORDANCE WITH RECOMMENDATIONS OF BS-EN 1992 EUROCODE 2
- Foundation sizes given are for customer guidance and suited to sub-soils with good load bearing capabilities. Where adverse site conditions are met professional advice to be sought.



TOLERANCES: LINEAR 0 : +/-1
0.0 : +/-0.1
0.00 : +/-0.01
ANGULAR +/-0.5°

THIRD ANGLE PROJECTION

Rev	Inits	Revision Notes	ER No.	Date
A	MB	FIRST ISSUE	19-0700	01/04/20
B	-	-	-	-
C	-	-	-	-
D	-	-	-	-/-/-
E	-	-	-	-

PRODUCT TYPE:

BRIDGE PROTECTION

IMPACT RATING:

75/30 30°

SLEEVE DETAIL:

Ø219 STAINLESS STEEL

PRODUCT RANGE:

RHINO GUARD

PROJECT NAME:

ULTRA SHALLOW 50

PROJECT NUMBER

SHALLOW FRAME

SHEET TITLE:

HVM ULTRA SHALLOW 50 - CYCLE LANE - Ø219

DRAWING NUMBER:

HVM-72-30-CW-SS

DRAWN BY
MB

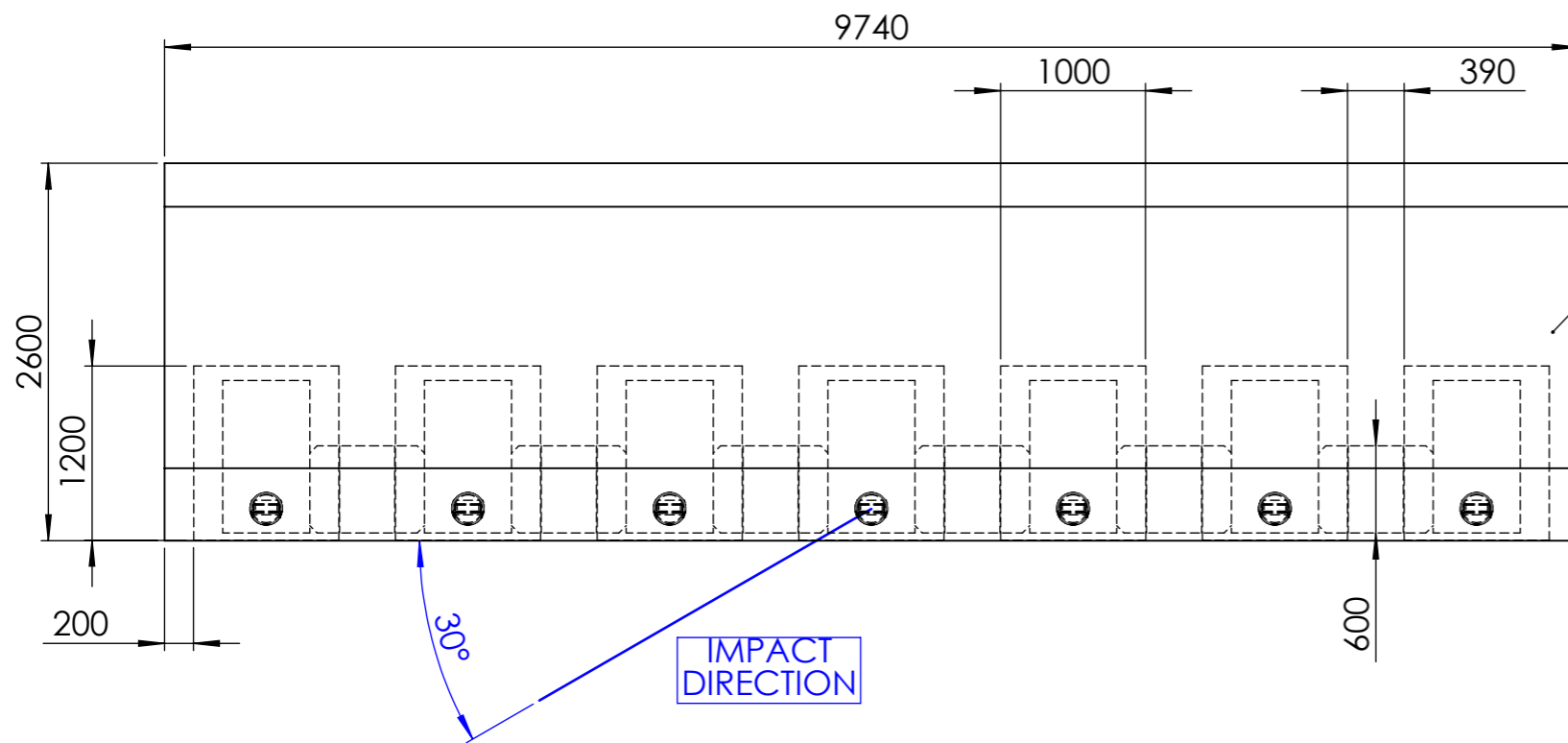
DATE
01/04/20

SCALE
1:50@A3

REVISION

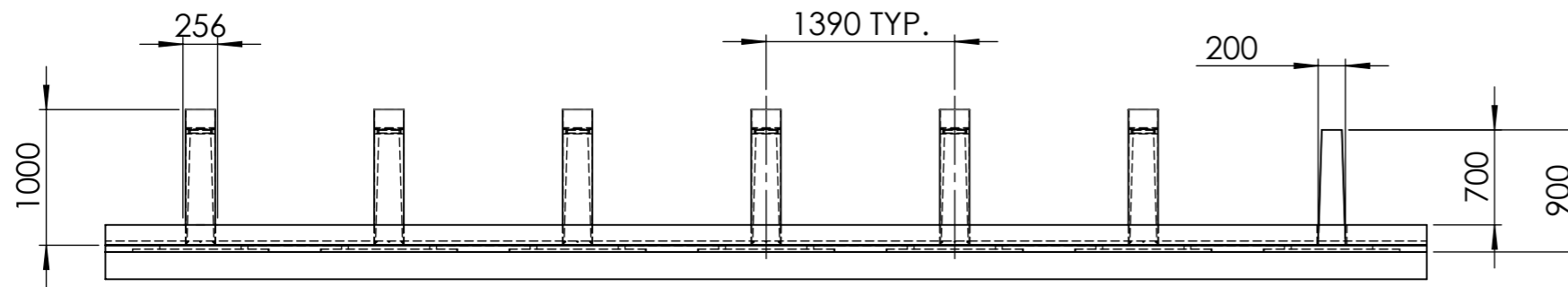
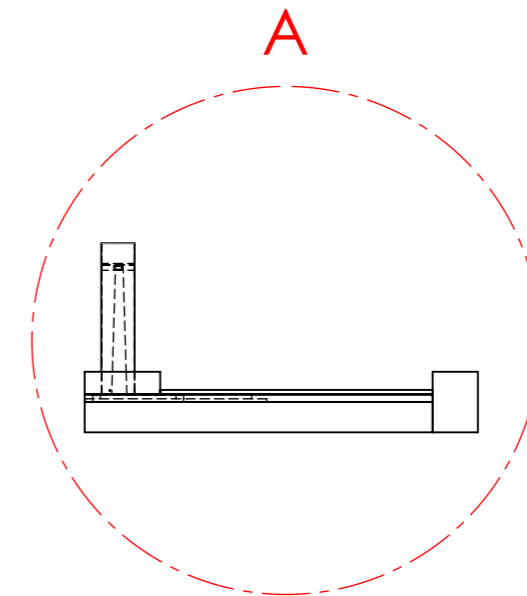
[A]

SHEET 1 of 1



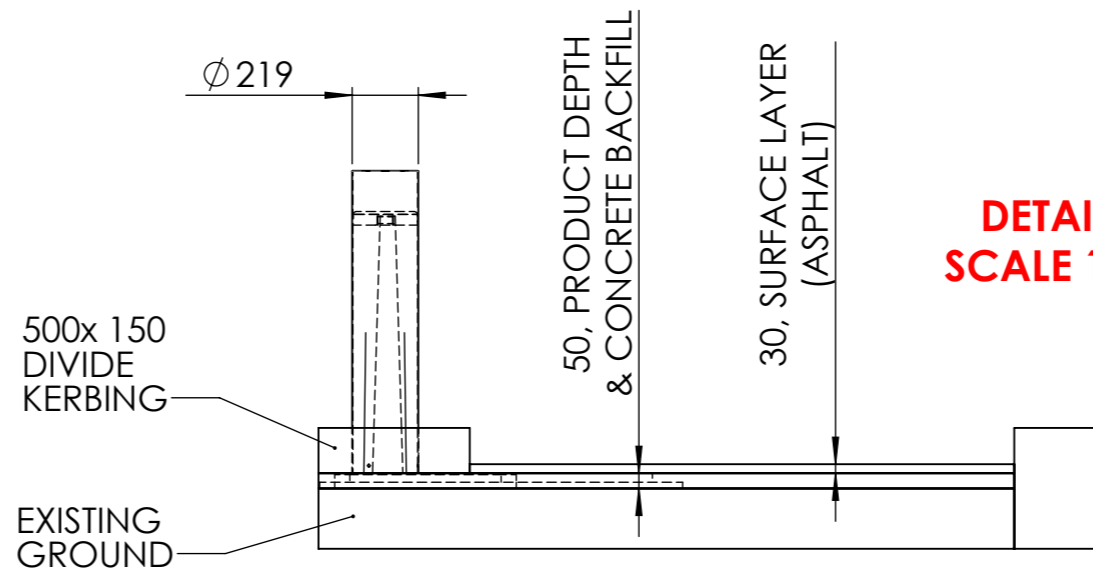
BACKFILL AROUND PRODUCT AND REAR UPTO 50mm LEVEL WITH CONCRETE. 30mm ASPHALT LAYER ON TOP.

NOTE: Ø219 STAINLESS STEEL SLEEVE SHOWN. OTHER SLEEVES ARE AVAILABLE.



PRODUCT WEIGHTS:
HVM FRAME - 390KG
CONNECTION BRACKET - 95KG
SLEEVE - 16KG

INSTALLATION INSTRUCTIONS:
EXCAVATE SUITABLE FOUNDATION FOR BOLLARDS
CONNECT LIFTING EQUIPMENT TO EACH UNIT & LAY IN POSITION
FASTEN UNITS TOGETHER WITH BRACKETS, NUTS AND WASHERS.
CAST CONCRETE AROUND AND ON TOP OF PRODUCT TO 50mm LEVEL. C30/C40 SLUMP MINIMUM
ALLOW CONCRETE TO CURE.
ADD FERROCAST SPACING RING TO TOP OF UPRIGHT.
SLIDE OVER SLEEVE AND SECURE AT BASE WITH SUPPLIED M8 FIXINGS.
CAST OR INSTALL 150mm DIVIDE KERBING OVER FRAME UPRIGHT AND SLEEVE.
FINISH SURFACE LEVEL IN ACCORDANCE WITH SITE REQUIREMENTS, 30mm.



DETAIL A
SCALE 1 : 25