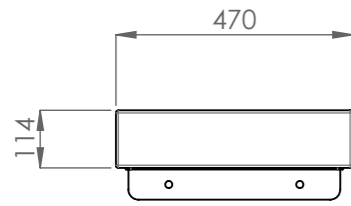
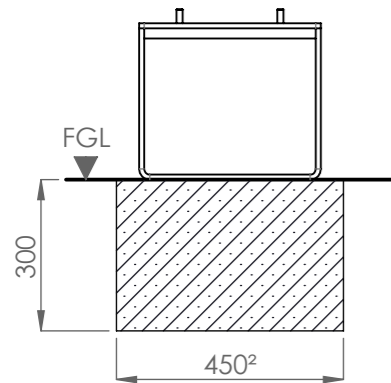


**470 BENCH TOP WITH ARMREST  
TYP SIDE PROFILE**  
SCALE 1 : 15

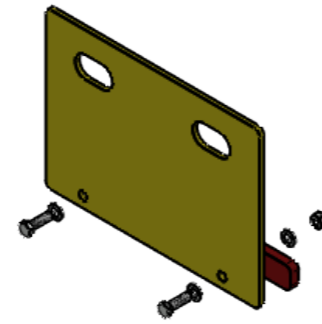


**470 BENCH TOP TYP  
SIDE PROFILE**  
SCALE 1 : 15



**TYP FOUNDATION DETAIL**  
SCALE 1 : 15

Top Level BOM Table					
ITEM NO.	AX A/B	Description	Approx. Weight	QTY	Despatch Component Check
1	DI-SE-00104	DIST V-Tim 470 SB MS Top 2.0m Iroko FSC T2 G&PC	97	1	
2	DI-SE-00026	DIST V-Tim 470 Bench & Seat MS L-Leg SM G&PC	9	2	

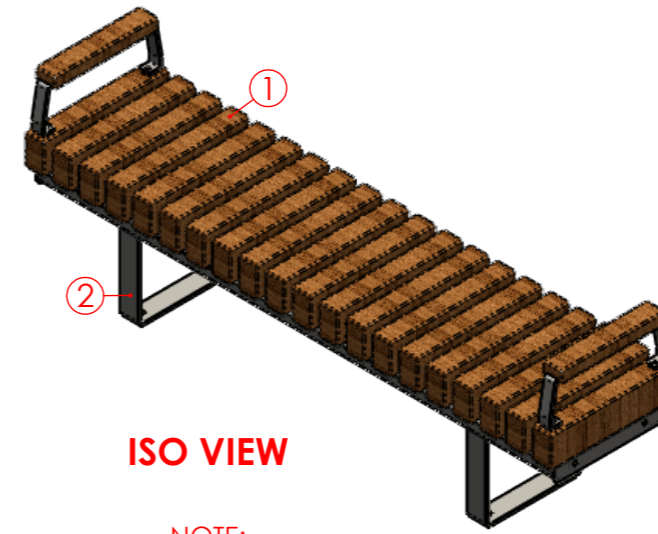


**LIFTING KIT ASSY  
(EXPLODED VIEW)**  
SCALE 1 : 10

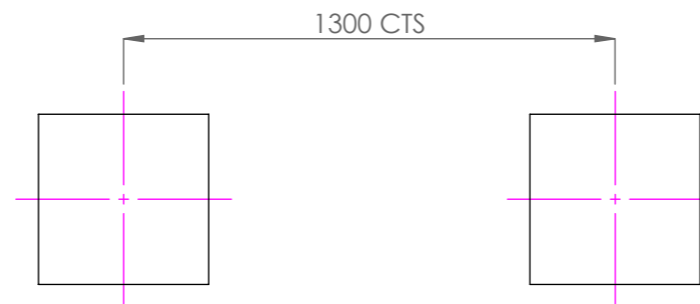
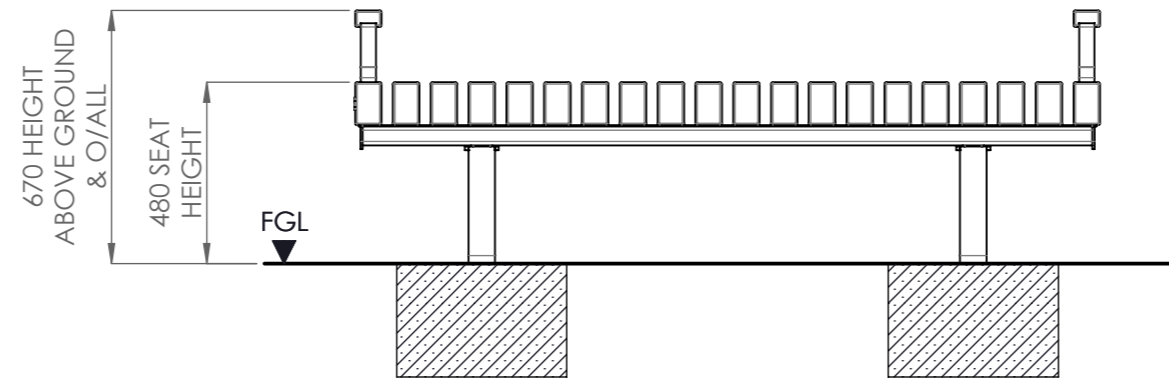
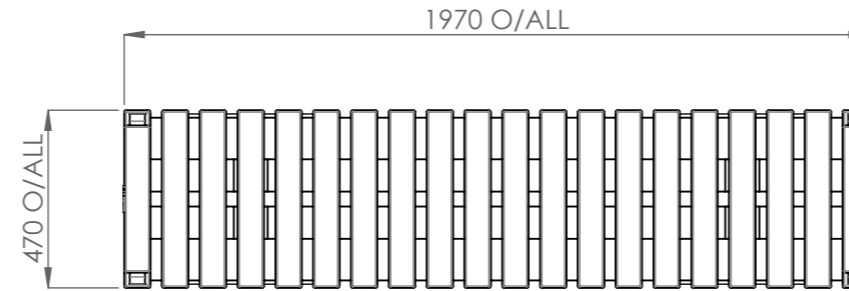
**OPTIONAL EXTRA  
LIFTING KIT SET**

LIFTING KITS ARE **NOT** SUPPLIED AS STANDARD BUT ARE SOLD AS AN OPTIONAL EXTRA TO HELP AID INSTALLATION. PLEASE CONSULT WITH A MEMBER OF THE SALES TEAM WHEN PLACING AN ORDER AND REFERENCE DI-SE-00108.

NOTE: EACH LIFTING KIT SET CONTAINS 2 OFF LIFTING KITS.



**ISO VIEW**  
NOTE:  
DISPLAY STATE FOR ILLUSTRATION  
PURPOSES ONLY



**FOUNDATION LAYOUT**

**PRODUCT SPECIFICATION**

**TIMBER**

**MATERIAL:**

Slats & Armrest Pads - Iroko FSC

**FINISH:**

Planed & untreated.

**EDGE DETAIL:**

Pencil (all edges).

**STEELWORK**

**MATERIAL:**

Sub Frame, Armrest Strap & Legs - Mild Steel

**GRADE:**

Sub Frame - S235 & S275

Armrest Straps - S275

Legs - S275

**FINISH:**

Hot Dipped Galvanised (BS EN ISO 1461:1999) and Polyester Powder Coated to a standard catalogue colour (default RAL 9007 Matt).

**DIMENSIONS:**

Width Overall: 470mm

Length Overall: 1970mm

Seating Height: 480mm

Height Above Ground: 670mm

Height Overall: 670mm

**FIXING TYPE:**

Surface Mount

**APPROX WEIGHT:**

115 kg

**FOUNDATIONS:**

Concrete grade C16/20 mass fill.

Foundation sizes given are suited to sub-soils with good load bearing capabilities. Where adverse site conditions are met professional advice to be sought.

**INSTALLATION:**

1. Excavate suitable foundation as shown.
2. Cast concrete C16/20.
3. Allow foundations to cure.
4. Position product and bolt to pads.

NOTE: Lifting Kits are **not** included as standard and must be purchased separately as an optional extra.

For operation and maintenance please refer to the **Marshalls Street Furniture Maintenance Guide**.

Unless otherwise stated: All Dimensions are in Millimetres

Marshalls PLC reserves the right to change the specifications of any product detailed without prior notice.

Rev	Init	Revision Notes	ER No.	Date
B	GE	Main profile thickness reduced to 3mm. Spacers removed.		26/11/2020

**Title:**  
DIST V-Tim 470 SB MS 2.0m LL SM Iroko FSC T2 G&PC

**Drawing No:**  
**PS-DI-SE-00092**

**Marshalls**  
Premier Way, Lowfields Business Park, Elland, Halifax, West Yorks, HX5 9HT  
TEL: 0870 600 2426  
EMAIL: mst.sales@marshalls.co.uk  
www.marshalls.co.uk/commercial

**DRAWN BY:** GE **DATE:** 22/09/2020

**DO NOT SCALE DRAWING** **REVISION:** [B]

**SCALE:** 1:20@A3 **SHEET:** 1 of 1