

ITEM NAME	ITEM CODE
RG Verso 90 Deg 15-30 - Complete - Silver Grey	VR-SE-00023
RG Verso 90 Deg 15-30 - Complete - City Grey	VR-SE-00027
RG Verso 90 Deg 15-30 - Complete - Anthracite	VR-SE-00031

PRODUCT SPECIFICATION

MATERIAL:
Concrete

FINISH:
Silver Grey

FIXING TYPE:
Root Fix Foundation

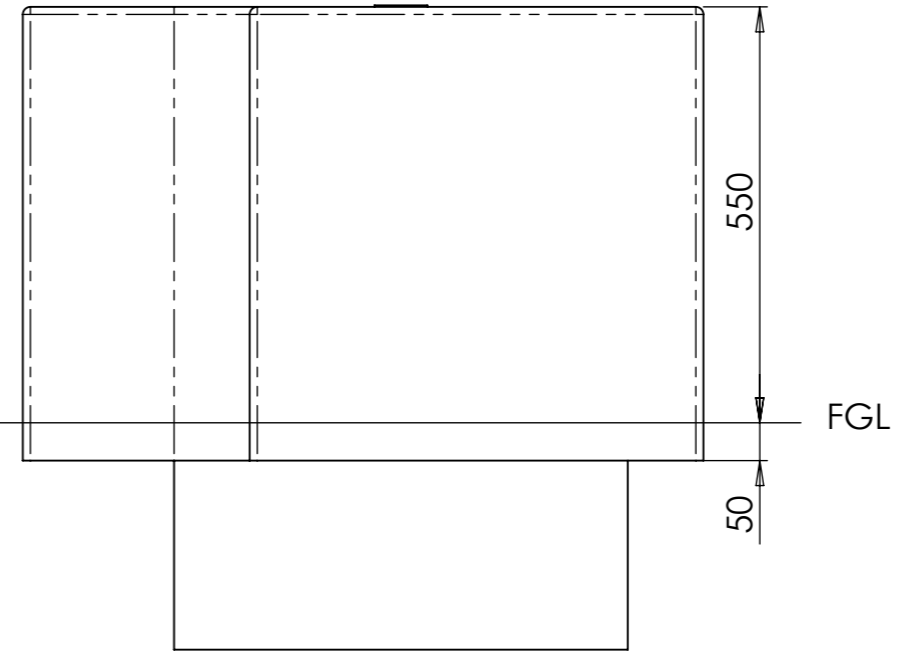
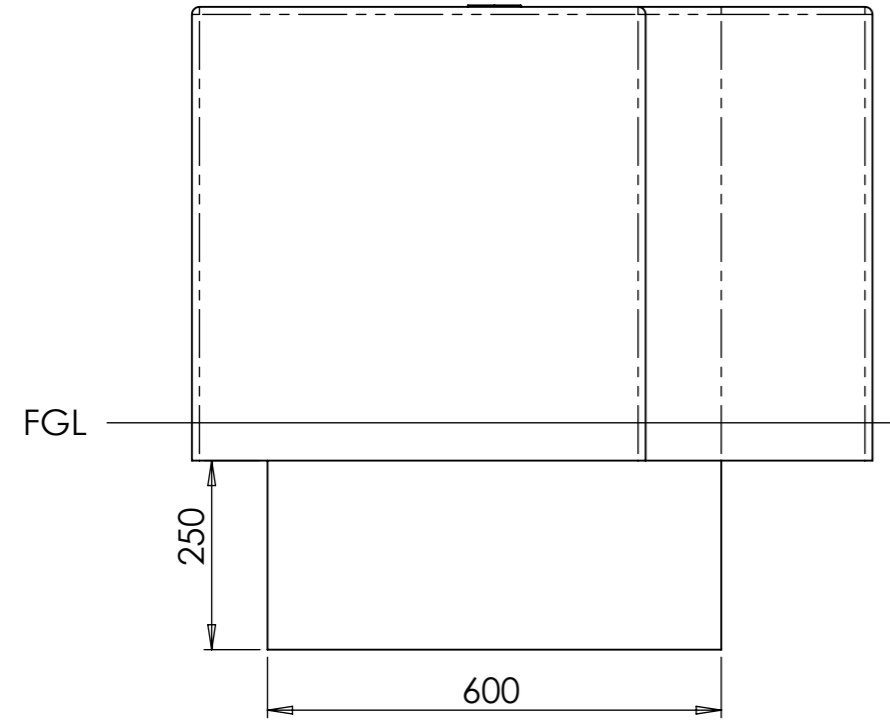
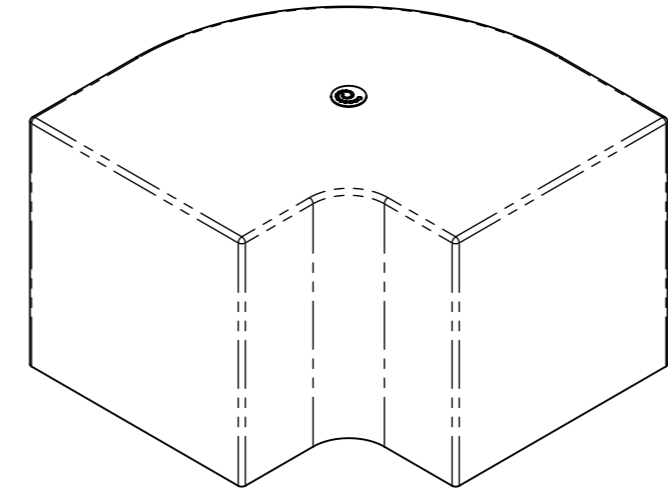
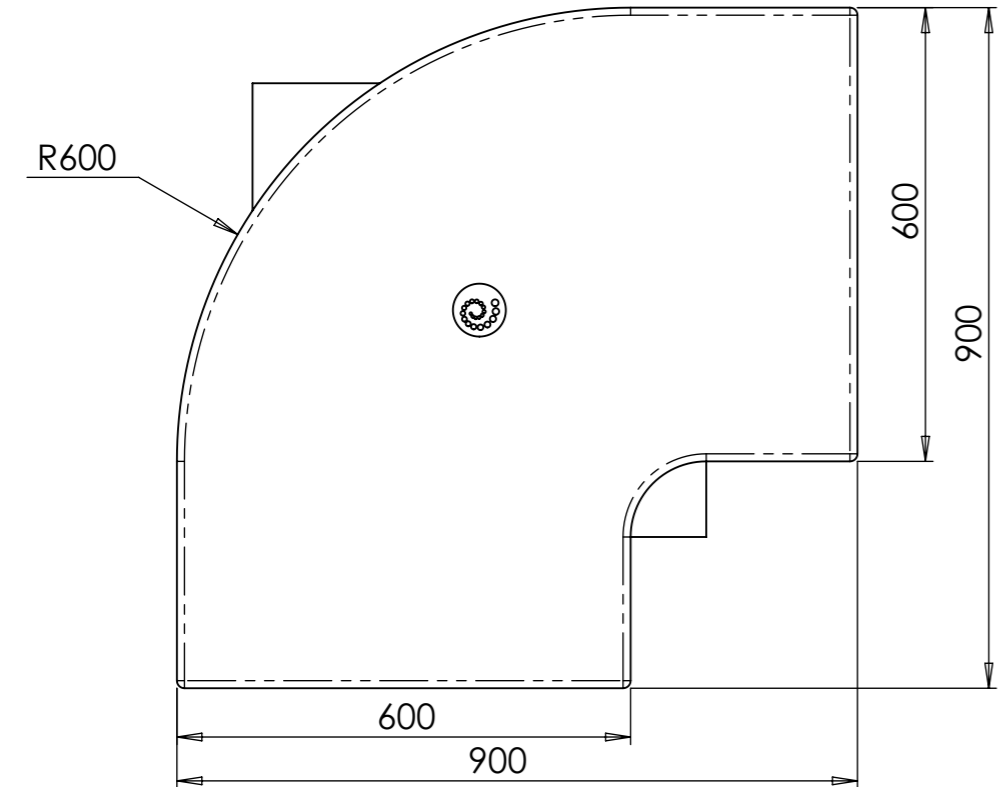
APPROX WEIGHT:
Block - **517.5 kg**
15-30 Core - **25 kg**

FOUNDATIONS:

Concrete grade C30 mass fill **600 x 600 x 250**.

Ground to be flat and level.
Ensure ground has sufficient load bearing capability to support the weight of the product. Where adverse site conditions are met professional advice to be sought.

- INSTALLATION:**
- Excavate suitable foundation as shown.
 - Cast concrete C30 around core.
 - Allow foundations to cure.
 - Attach M30 Lifting eyes (1 off).
 - Lower concrete block over ground frame.
 - Remove Lifting eye and secure using M20 Bolt.
 - Fit Lifting point plugs (1 off).



For operation and maintenance please refer to the **Marshalls Street Furniture Maintenance Guide**.

Unless otherwise stated: All Dimensions are in Millimetres
Marshalls PLC reserves the right to change the specifications of any product detailed without prior notice.

Rev	Init	Revision Notes	ER No.	Date
A	HP	1st Release		18/06/2021

Title:
RhinoGuard Verso 90 Deg Block 15-30 - Complete

Drawing No:
PS-VR-SE-00023

	Premier Way, Lowfields Business Park, Elland, Halifax, West Yorks, HX5 9HT	TEL: 0870 600 2426 EMAIL: mst.sales@marshalls.co.uk www.marshalls.co.uk/commercial
	 THIRD ANGLE PROJECTION	

DRAWN BY: HP **DATE:** 18/06/2021

DO NOT SCALE DRAWING **REVISION:** [A]

SCALE: 1:10@A3 **SHEET:** 1 of 2