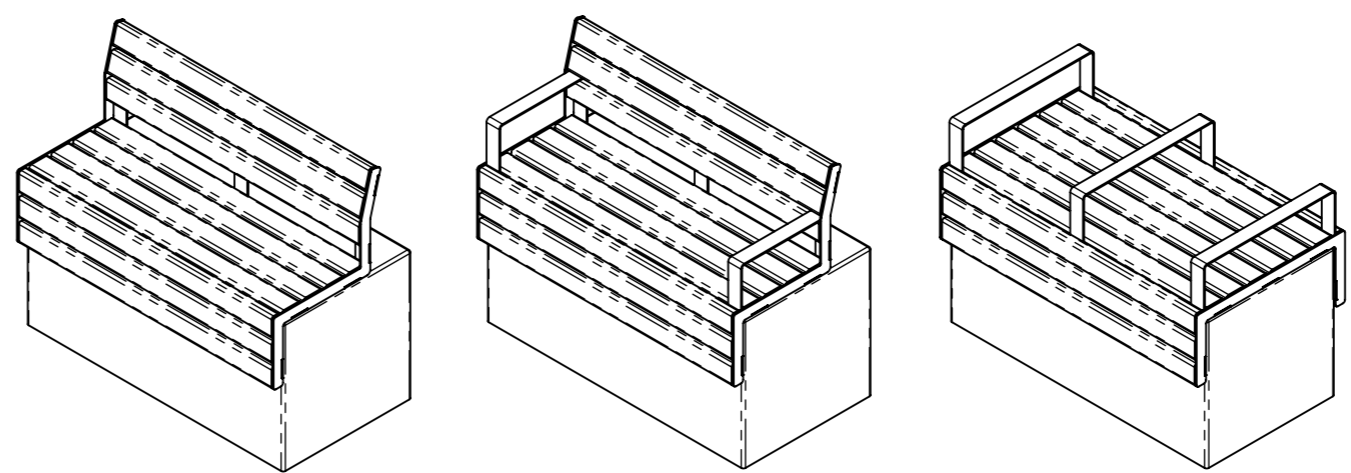


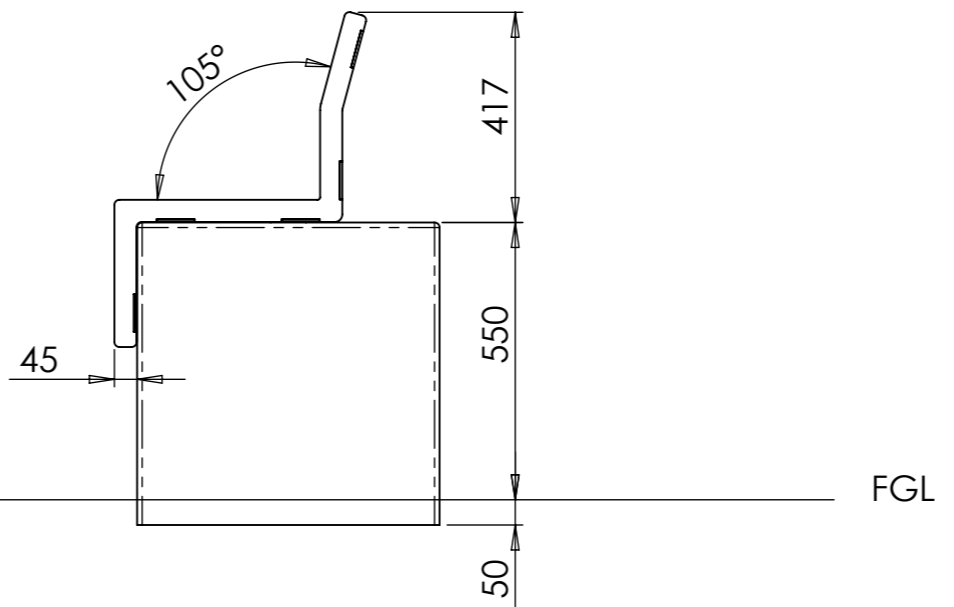
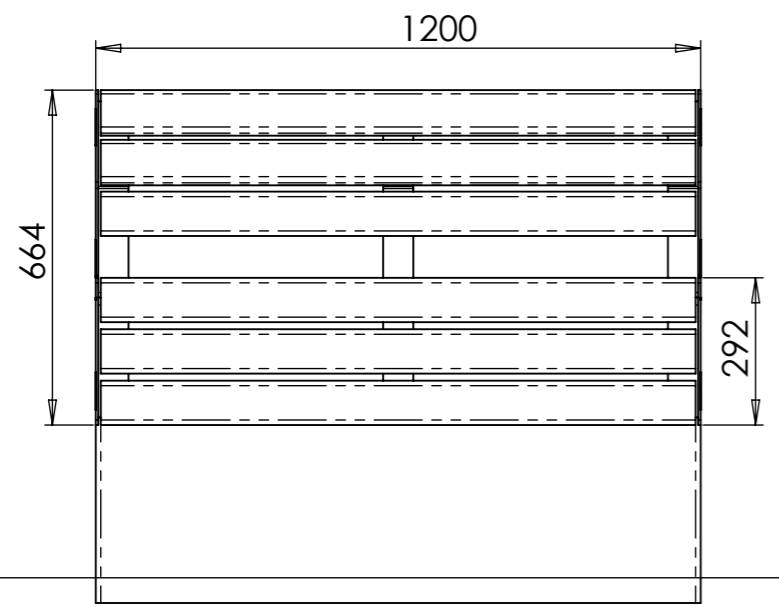
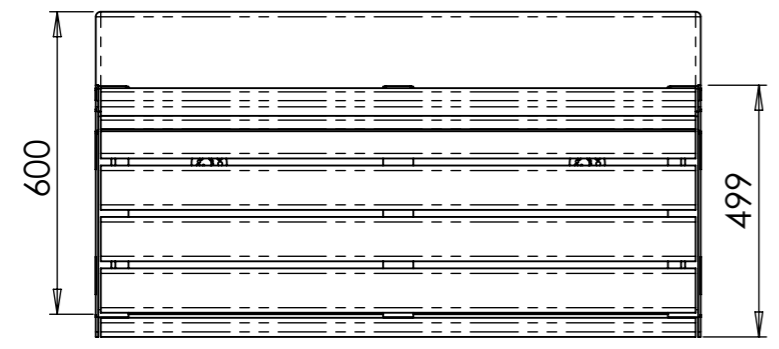
ITEM NAME	ITEM CODE
VERSO 1200 Seat Top - FSC Timber	VR-SE-00041
VERSO 1200 Seat Top cw End Arms - FSC Timber	VR-SE-00042
VERSO 1200 Seat Top cw Full Arms - FSC Timber	VR-SE-00043



**PLAIN**

**END ARMS**

**FULL ARMS**



ITEM NO.	PART NUMBER	DESCRIPTION	QTY.
1	VR-SE-00041	VERSO - 1200 Seat Top - FSC TIMBER	1
3	XX-F05-10110	M8 Spring Washer	4
4	XX-F03-10103	M8 X 16 Skt Cap Screw	4
5	XX-F10-10192	Hilti HKD-SR Drop in Anchor M8 x 30	4

**PRODUCT SPECIFICATION**

**MATERIAL:**  
Concrete

**FINISH:**  
Silver Grey

**FIXING TYPE:**  
Root Fix Foundation

**APPROX WEIGHT:**  
40 kg

**FOUNDATIONS:**

Concrete grade C16/20 mass fill **1200 x 600 x 250.**

Ground to be flat and level.  
Ensure ground has sufficient load bearing capability to support the weight of the product. Where adverse site conditions are met professional advice to be sought.

**INSTALLATION:**

1. Install 1200 Concrete block with chosen protective rating.
2. Lift product onto existing concrete block.
3. Mark hole positions onto concrete and remove bench.
4. Drill holes and insert Hilti Drop in Anchors (4 off) or similar.
5. Reposition bench body and secure using M8 Screw (4 off) + M8 Washers (4 off).

For operation and maintenance please refer to the **Marshalls Street Furniture Maintenance Guide.**

Unless otherwise stated: All Dimensions are in Millimetres  
Marshalls PLC reserves the right to change the specifications of any product detailed without prior notice.

Rev	Init	Revision Notes	ER No.	Date
A	HP	1st Release		07/07/2021

**Title:**  
Verso 1200 Seat Top - FSC Timber

**Drawing No:**  
**PS-VR-SE-00041**

**DRAWN BY:** HP **DATE:** 07/07/2021

**DO NOT SCALE DRAWING**  
**SCALE:** 1:15@A3 **SHEET:** 1 of 1 **REVISION:** [A]