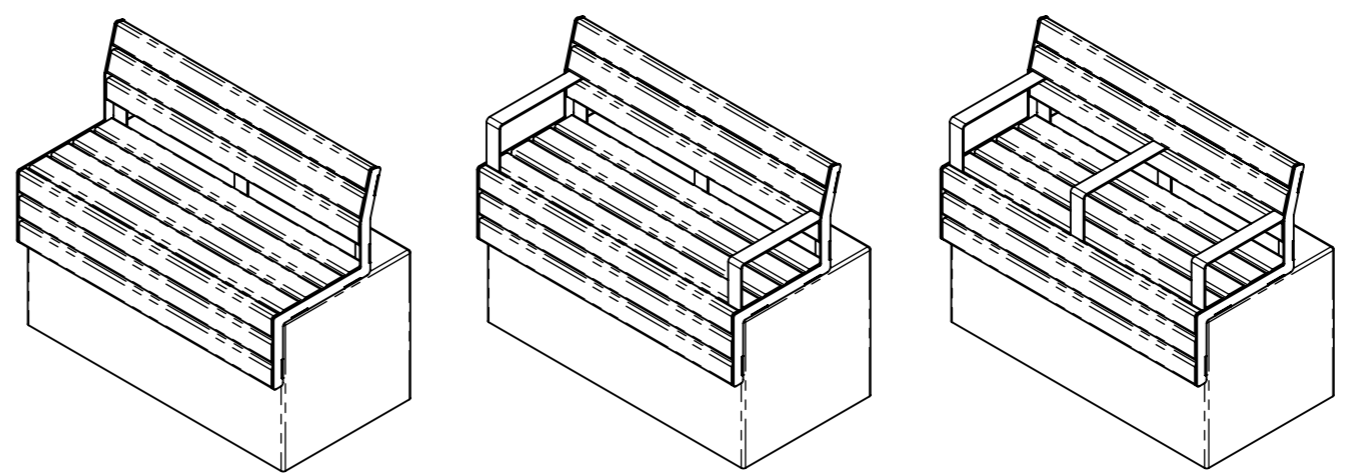


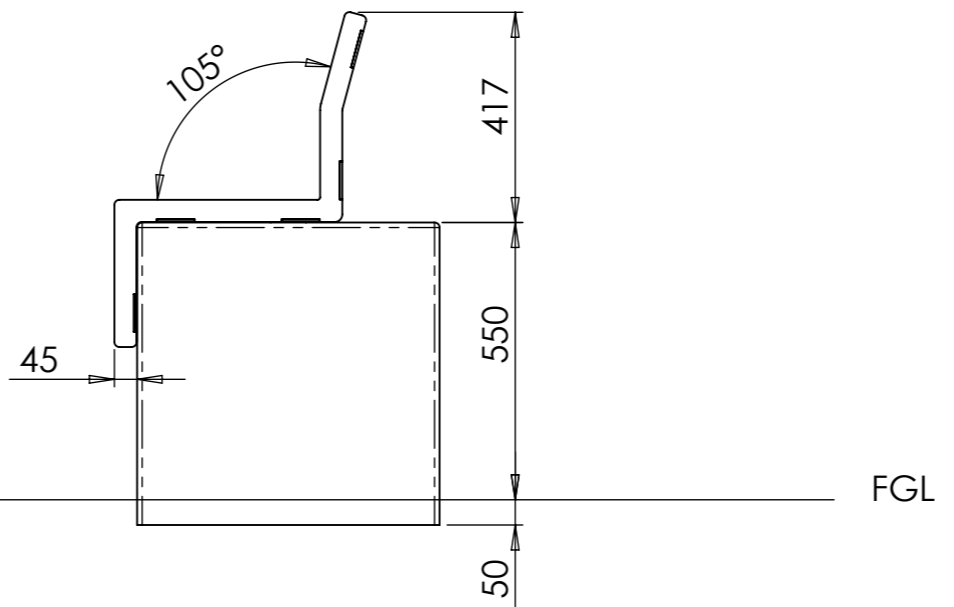
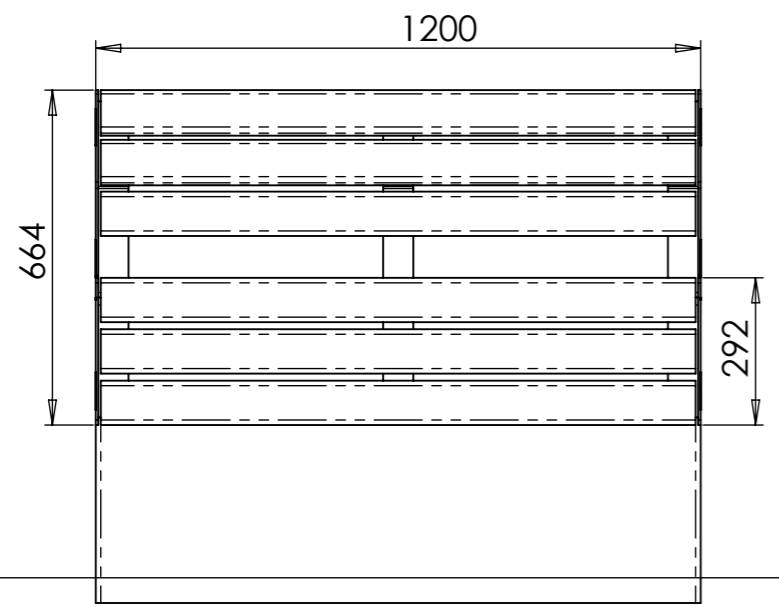
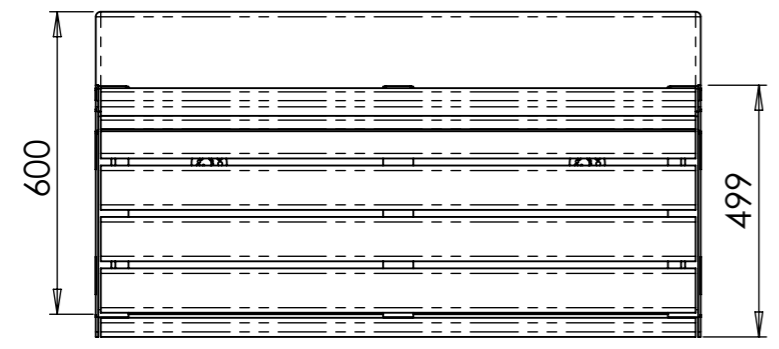
ITEM NAME	ITEM CODE
VERSO 1200 Seat Top - WPC	VR-SE-00050
VERSO 1200 Seat Top cw End Arms - WPC	VR-SE-00051
VERSO 1200 Seat Top cw Full Arms - WPC	VR-SE-00052



PLAIN

END ARMS

FULL ARMS



ITEM NO.	PART NUMBER	DESCRIPTION	QTY.
1	VR-SE-00050	VERSO - 1200 Seat Top - WPC	1
3	XX-F05-10110	M8 Spring Washer	4
4	XX-F03-10103	M8 X 16 Skt Cap Screw	4
5	XX-F10-10192	Hilti HKD-SR Drop in Anchor M8 x 30	4

PRODUCT SPECIFICATION

MATERIAL:
Concrete

FINISH:
Silver Grey

FIXING TYPE:
Root Fix Foundation

APPROX WEIGHT:
40 kg

FOUNDATIONS:

Concrete grade C16/20 mass fill **1200 x 600 x 250.**

Ground to be flat and level.
Ensure ground has sufficient load bearing capability to support the weight of the product. Where adverse site conditions are met professional advice to be sought.

INSTALLATION:

1. Install 1200 Concrete block with chosen protective rating.
2. Lift product onto existing concrete block.
3. Mark hole positions onto concrete and remove bench.
4. Drill holes and insert Hilti Drop in Anchors (4 off) or similar.
5. Re-position bench body and secure using M8 Screw (4 off) + M8 Washers (4 off).

For operation and maintenance please refer to the **Marshalls Street Furniture Maintenance Guide.**

Unless otherwise stated: All Dimensions are in Millimetres
Marshalls PLC reserves the right to change the specifications of any product detailed without prior notice.

Rev	Init	Revision Notes	ER No.	Date
A	HP	1st Release		07/07/2021

Title:
Verso 1200 Seat Top - WPC

Drawing No:
PS-VR-SE-00050

	Premier Way, Lowfields Business Park, Elland, Halifax, West Yorks, HX5 9HT	TEL: 0870 600 2426 EMAIL: mst.sales@marshalls.co.uk www.marshalls.co.uk/commercial
	 THIRD ANGLE PROJECTION	

DRAWN BY: HP **DATE:** 07/07/2021

DO NOT SCALE DRAWING **REVISION:** [A]

SCALE: 1:15@A3 **SHEET:** 1 of 1