

ITEM NAME	ITEM CODE
Verso 1200 Block Mount Planter - WPC	VR-PL-00001
Verso 1200 Block Mount Planter - FSC Timber	VR-PL-00002

**PRODUCT SPECIFICATION**

**MATERIAL:**  
Concrete

**FINISH:**  
Silver Grey

**FIXING TYPE:**  
Root Fix Foundation

**APPROX WEIGHT:**  
PLANTER FRAME - 150 kg  
PLANTER LINER - 35 kg  
(TOTAL - 185 kg)

**CAPACITY - 140 Litres**

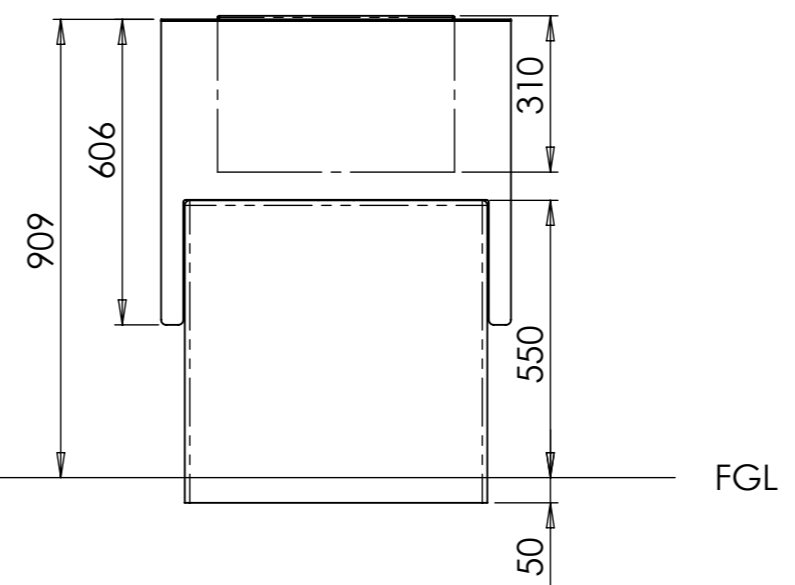
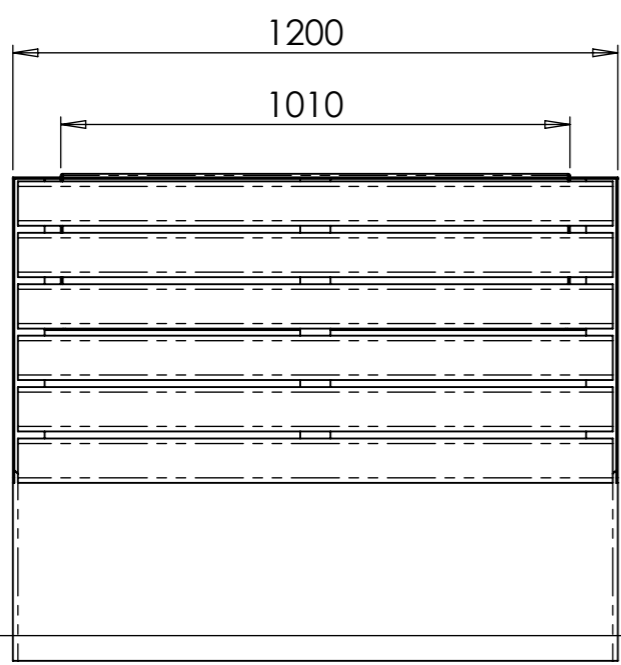
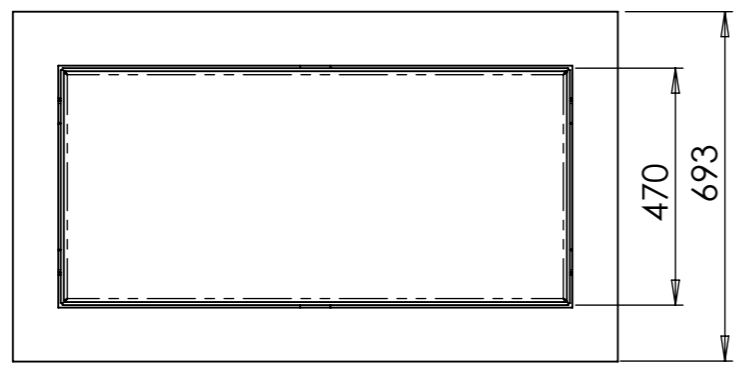
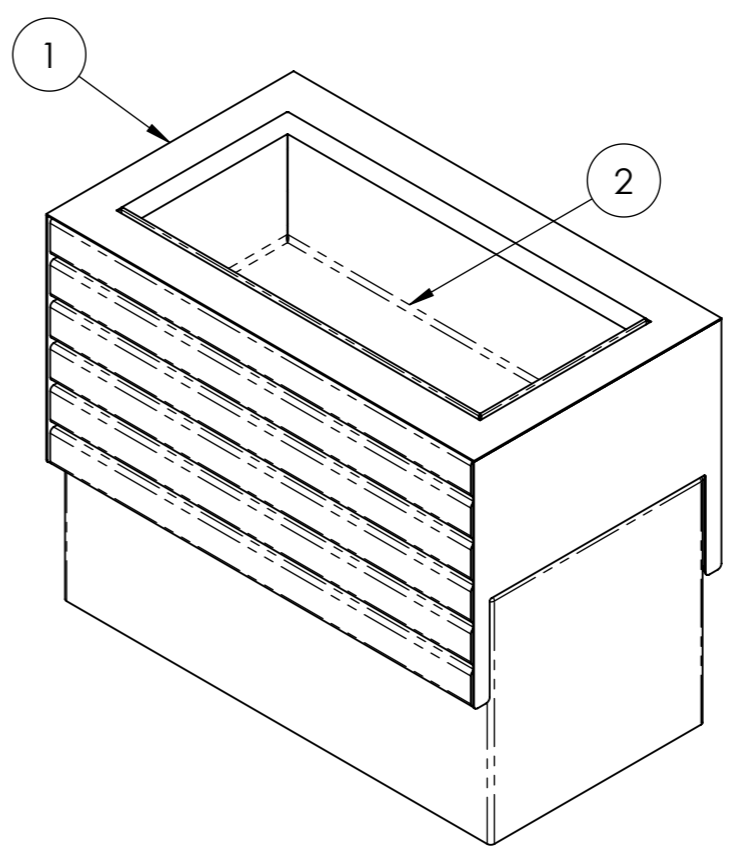
**FOUNDATIONS:**

Concrete grade C16/20 mass fill 1200 x 600 x 250.

Ground to be flat and level.  
Ensure ground has sufficient load bearing capability to support the weight of the product. Where adverse site conditions are met professional advice to be sought.

**INSTALLATION:**

1. Install 1200 Concrete block with chosen protective rating.
2. Sling product via RSA Angle at base of product..
3. Lower planter body onto concrete block.
4. Mark hole positions onto concrete and remove planter.
5. Drill holes and insert Hilti Drop in Anchors (4 off)
6. Reposition Planter body and secure using M8 Screw (4 off) + M8 Washers (4 off).
7. Drop planter liner into body.



FGL

FGL

ITEM NO.	PART NUMBER	DESCRIPTION	QTY.
1	XX-FAB-21092	VERSO - 1200 Planter - Block Mount	1
2	XX-FAB-21094	VERSO - 1200 Planter Liner	1
3	XX-F05-10110	M8 Spring Washer	4
4	XX-F03-10103	M8 X 16 Skt Cap Screw	4
5	XX-F10-10192	Hilti HKD-SR Drop in Anchor M8 x 30	4

For operation and maintenance please refer to the **Marshalls Street Furniture Maintenance Guide**.

Unless otherwise stated: All Dimensions are in Millimetres  
Marshalls PLC reserves the right to change the specifications of any product detailed without prior notice.

Rev	Init	Revision Notes	ER No.	Date
A	HP	1st Release		07/07/2021

**Title:**  
Verso 1200 Block Mount Planter - FSC Timber

**Drawing No:**  
**PS-VR-PL-00002**

**Marshalls**  
Premier Way,  
Lowfields Business Park,  
Elland, Halifax,  
West Yorks, HX5 9HT

TEL: 0870 600 2426  
EMAIL: mst.sales@marshalls.co.uk  
www.marshalls.co.uk/commercial

**DRAWN BY:** HP      **DATE:** 07/07/2021

**DO NOT SCALE DRAWING**      **REVISION:** [A]

**SCALE:** 1:15@A3      **SHEET:** 2 of 2