

ITEM NAME	ITEM CODE
Verso 90 deg - Complete - Silver Grey	VR-SE-00011
Verso 90 deg - Complete - City Grey	VR-SE-00015
Verso 90 deg - Complete - Anthracite	VR-SE-00019

PRODUCT SPECIFICATION

MATERIAL:
Concrete

FINISH:
Silver Grey

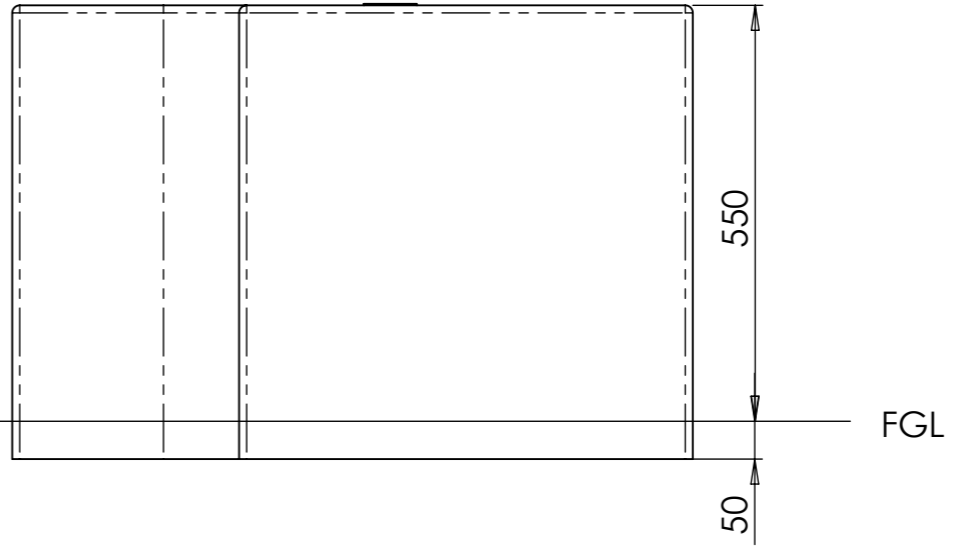
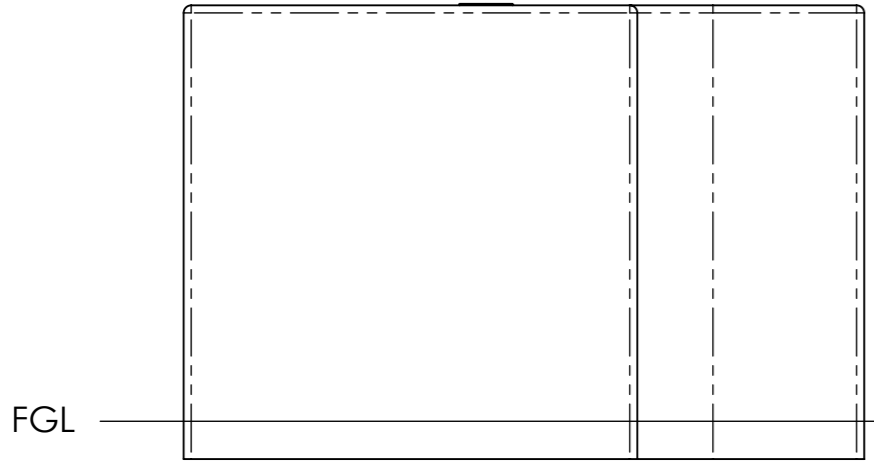
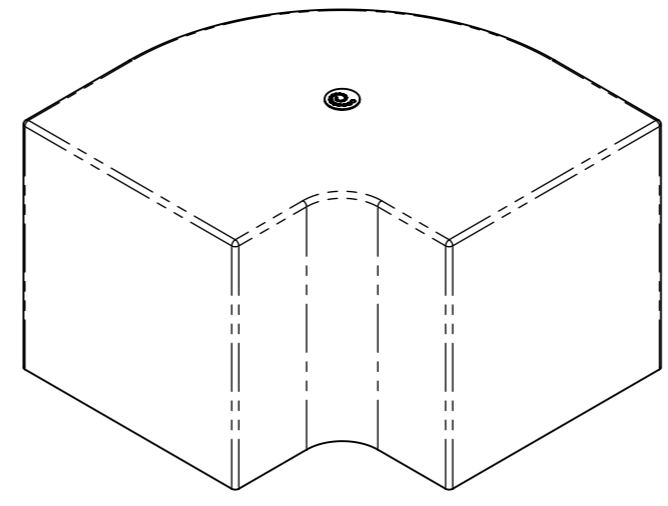
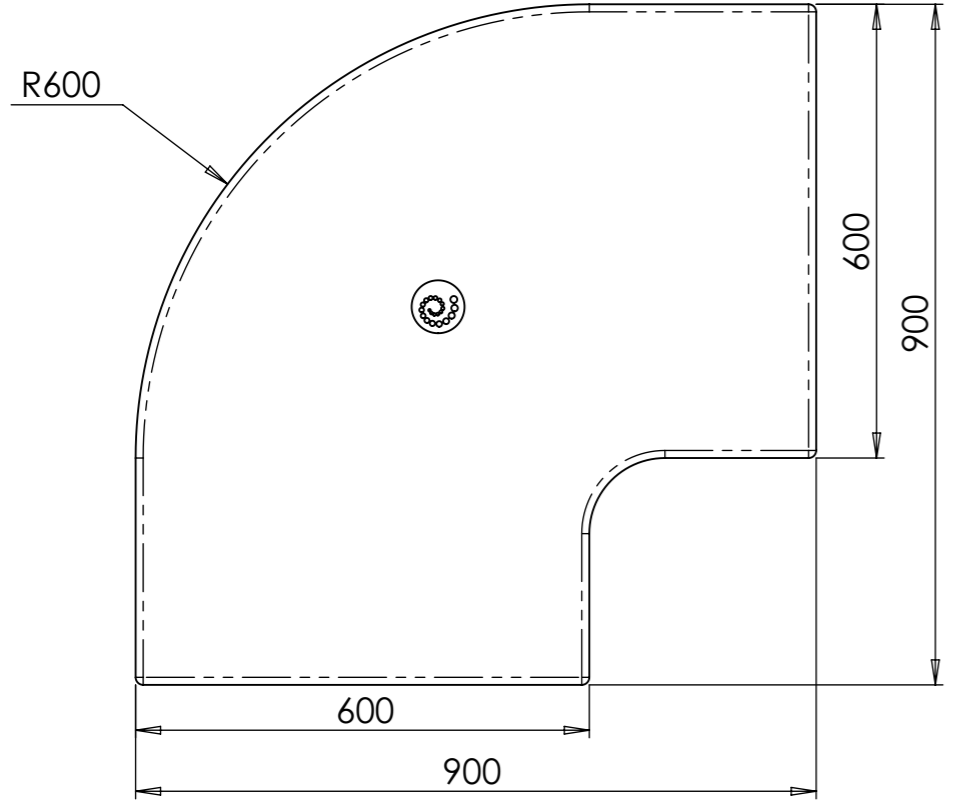
FIXING TYPE:
Subsurface Mount

APPROX WEIGHT:
Block - 522kg

FOUNDATIONS:
Concrete grade C16/20 mass fill **600 x 600 x 250**.

Ground to be flat and level.
Ensure ground has sufficient load bearing capability to support the weight of the product. Where adverse site conditions are met professional advice to be sought.

- INSTALLATION:**
- Excavate suitable foundation as shown.
 - Cast concrete C16/20 foundation or similar.
 - Allow foundations to cure.
 - Attach M30 Lifting eyes (1 off).
 - Lower concrete block onto foundation.
 - Remove Lifting eyes and fit lifting point plugs (1 off).



For operation and maintenance please refer to the **Marshalls Street Furniture Maintenance Guide**.

Unless otherwise stated: All Dimensions are in Millimetres
Marshalls PLC reserves the right to change the specifications of any product detailed without prior notice.

Rev	Init	Revision Notes	ER No.	Date
A	HP	1st Release		20/07/2021

Title:
Verso 90 Deg Block - Complete

Drawing No:
PS-VR-SE-00011

Marshalls Premier Way, Lowfields Business Park, Elland, Halifax, West Yorks, HX5 9HT
TEL: 0870 600 2426
EMAIL: mst.sales@marshalls.co.uk
www.marshalls.co.uk/commercial

DRAWN BY: HP **DATE:** 20/07/2021

DO NOT SCALE DRAWING **REVISION:** [A]

SCALE: 1:10@A3 **SHEET:** 1 of 2