

PRODUCT SPECIFICATION

MATERIAL:
CONCRETE

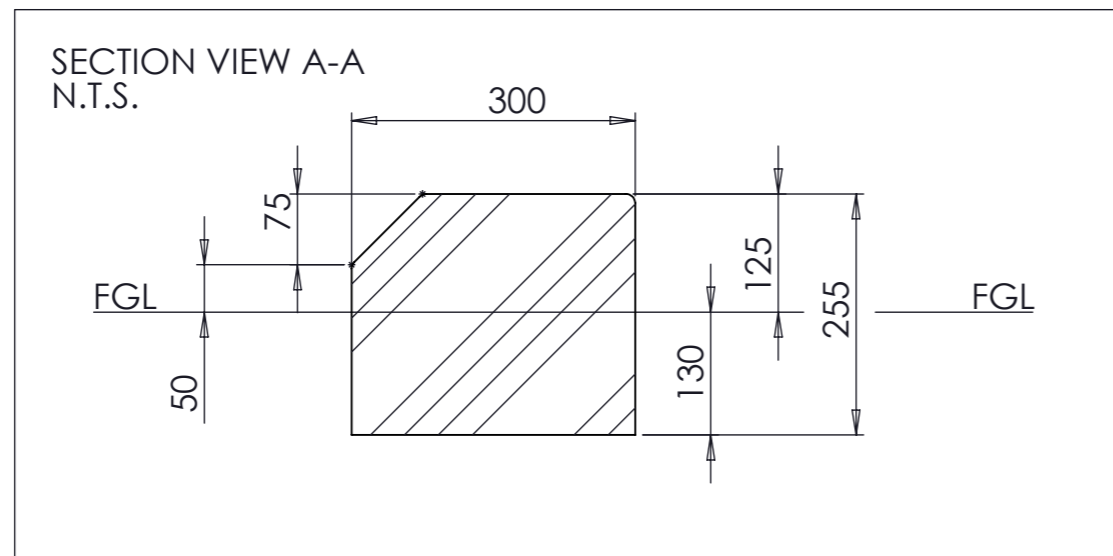
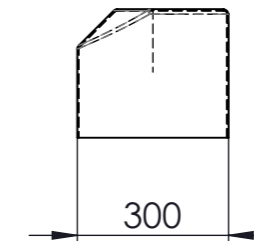
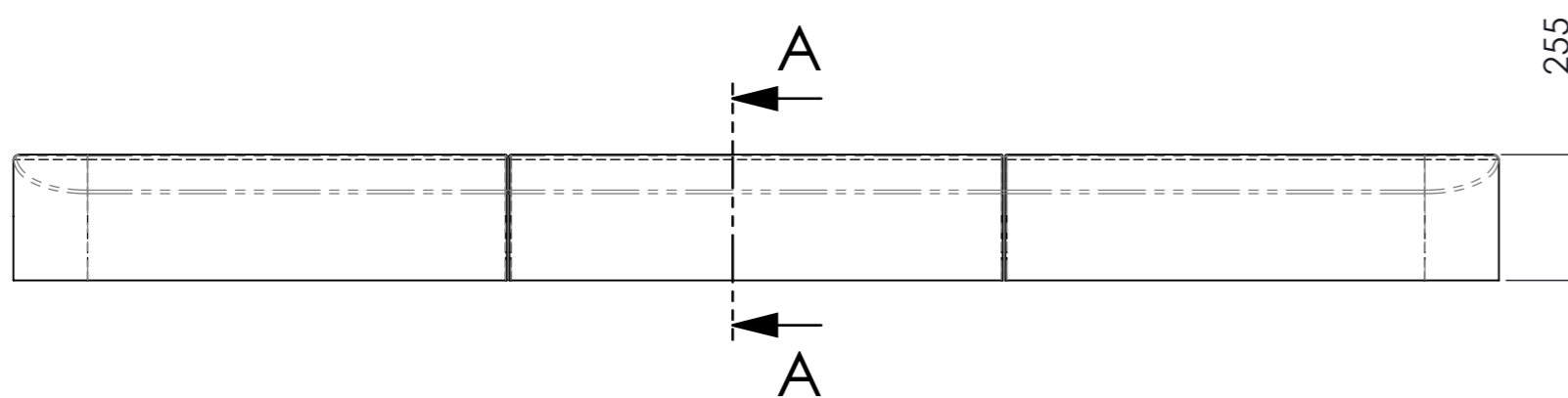
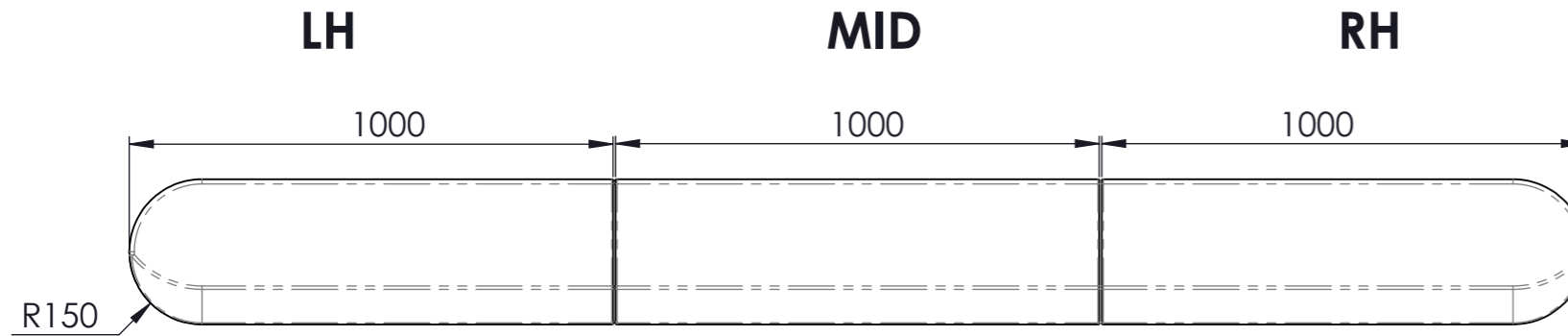
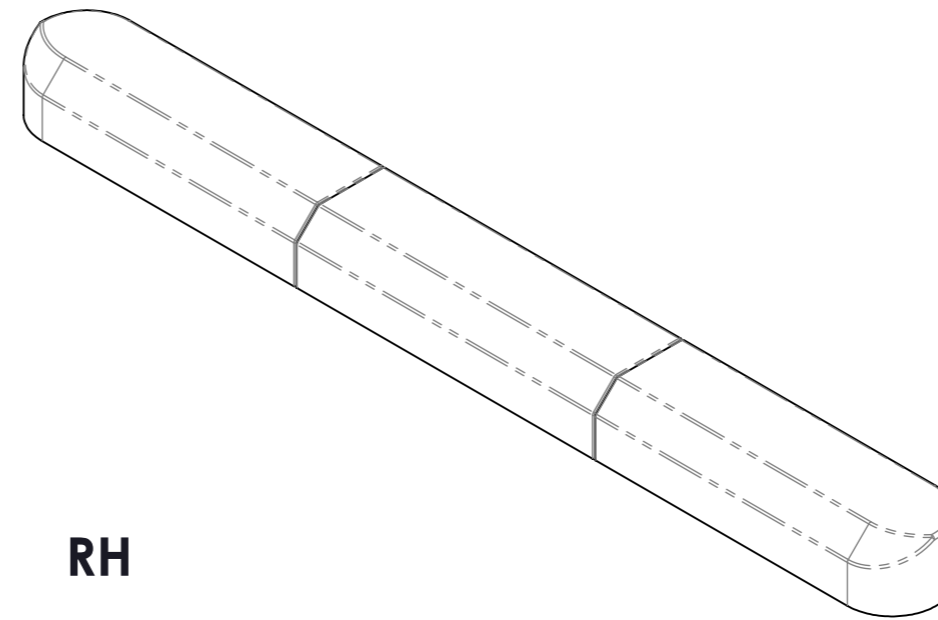
FINISH:
NATURAL SMOOTH GREY

FIXING TYPE:
ROOT FIX

APPROX WEIGHT:
INTERMEDIATE - 179kg
LH / RH END - 171kg

CARBON FOOTPRINT:
INTERMEDIATE - 21 CO2/kg*
LH / RH END - 20 CO2/kg*

*ESTIMATES BASED ON FULL CRADLE TO GRAVE FOOTPRINTS FOR SIMILAR PRODUCTS, CALCULATED BY THE CARBON TRUST.



For operation and maintenance please refer to the **Marshalls Street Furniture Maintenance Guide**.

Unless otherwise stated: All Dimensions are in Millimetres
Marshalls PLC reserves the right to change the specifications of any product detailed without prior notice.

Rev	Init	Revision Notes	ER No.	Date
B	IJ	UPDATED LENGTH		21/07/21

Title:
CYCLE SEGREGATION - 255

Drawing No:
PS-NPD-20-0020

	Premier Way, Lowfields Business Park, Elland, Halifax, West Yorks, HX5 9HT	TEL: 0870 600 2426 EMAIL: mst.sales@marshalls.co.uk www.marshalls.co.uk/commercial
	THIRD ANGLE PROJECTION	

DRAWN BY: IJ **DATE:** 07/07/2021

DO NOT SCALE DRAWING **REVISION:** B

SCALE: 1:15@A3 **SHEET:** 1 of 1