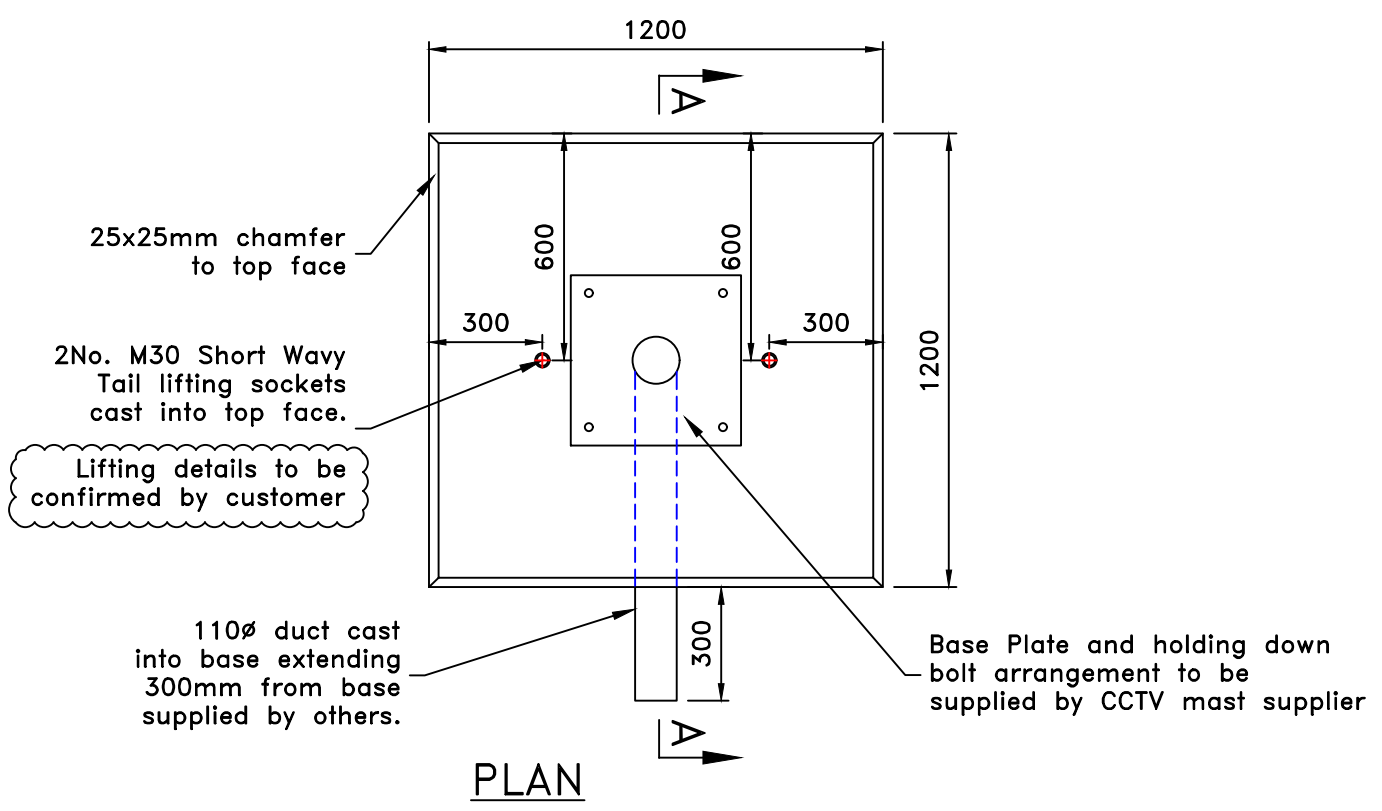
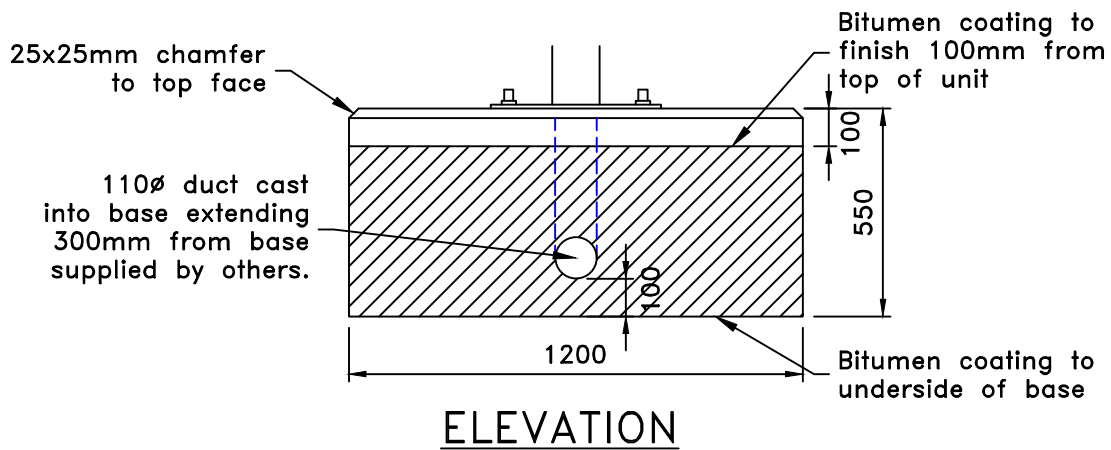
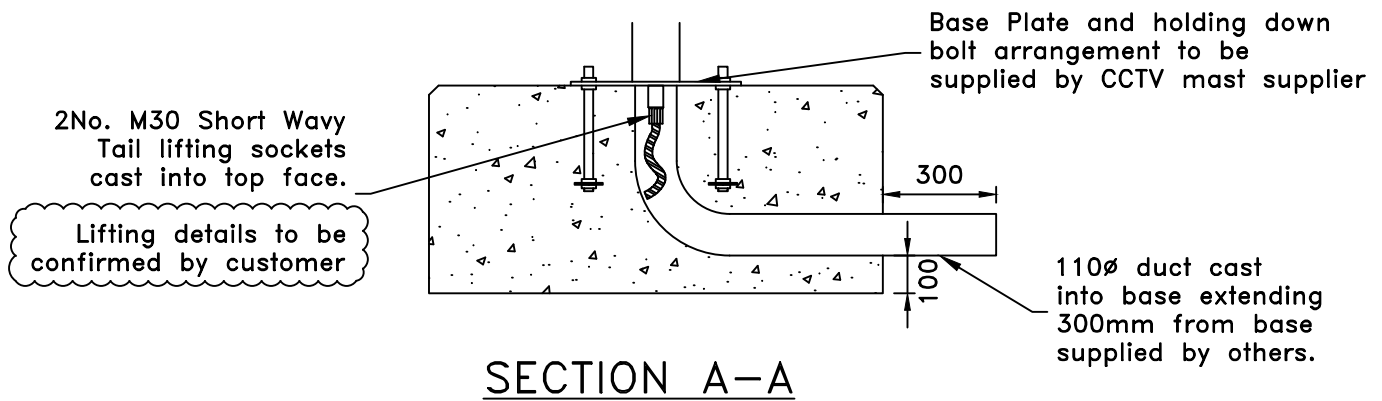


| Rev. | Revision Note | Drawn | Checked | Date |
|------|--|-------|---------|----------|
| A | Size and position of duct revised after comments | AF | PR | 23.04.21 |



Approx weight of Base = 1.98t

Heath Mill Road
Wombourne
WV5 8AP
01902 356220

THIS DRAWING IS ISSUED SUBJECT TO THE CONDITIONS THAT IT IS NOT COPIED EITHER IN WHOLE OR IN PART OR DISCLOSED TO THIRD PARTIES UNLESS PRIOR WRITTEN AUTHORISATION IS GIVEN BY MARSHALLS CIVILS & DRAINAGE. PREVIOUS VERSIONS OF THIS DRAWING SHOULD BE STAMPED SUPERSEDED OR DESTROYED

DO NOT SCALE THIS DRAWING - IF IN DOUBT ASK

1200x1200mm CCTV Mast Foundation

| | | | |
|-----------------------------------|---------------|--------------------|------------------|
| Drawn AF | Checked MJ | Scale 1:20 @ A4 | Date 30.03.21 |
| Drg. No. BES1514/PRJ5793026/GA | | | Rev. A |