

PRODUCT SPECIFICATION

MATERIAL:
 RhinoGuard 15-30 Seat Ground Frame - Mild Steel
 Leg Sleeve - Mild Steel
 Seat Frame - Mild Steel
 Slats - Hardwood Timber

FINISH:
 RhinoGuard 15-30 Seat Ground Frame - Hot Dip Galvanised
 Leg Sleeve - Galvanised & Powder Coated
 Seat Frame - Galvanised & Powder Coated
 Slats - Natural / Untreated

FIXING TYPE:
 Root Fixed.

APPROX WEIGHT:
 RhinoGuard 15-30 Seat Ground Frame - 32kg (each)
 Leg Sleeve - 11kg (each)
 Seat Top - 60kg

STANDARD:
 IWA 14-1:2013

PERFORMANCE:
 V/1500[M1]/48/90:5.5

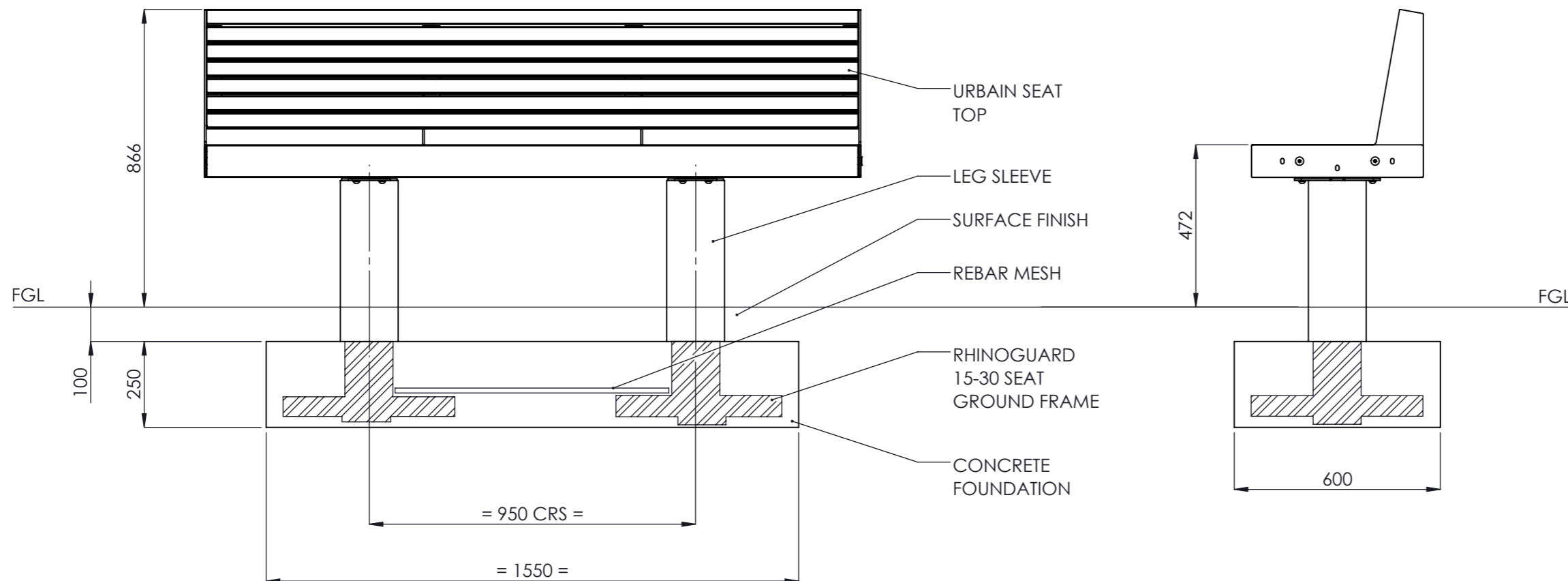
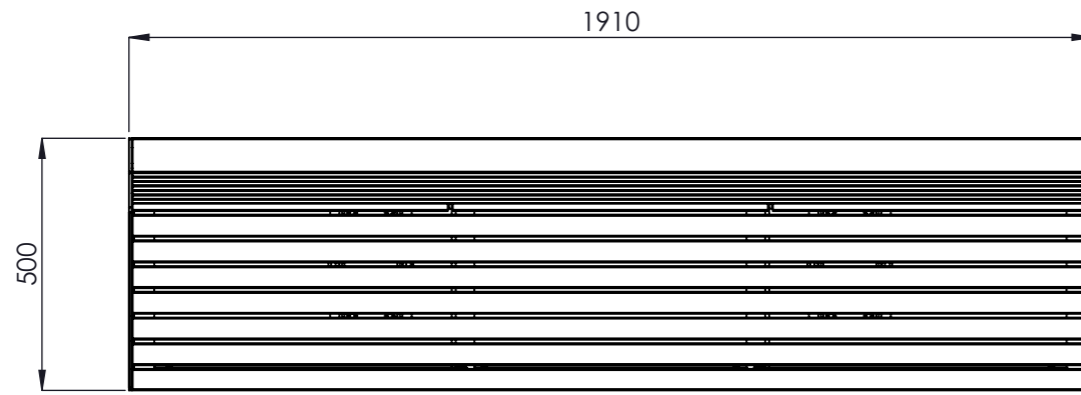
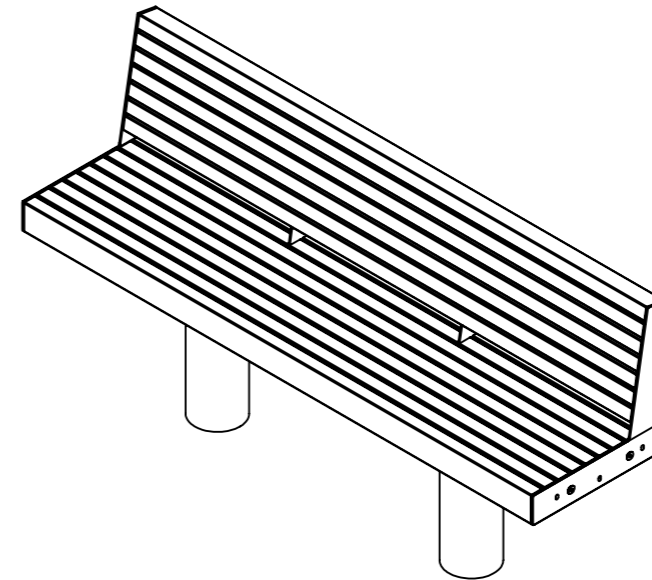
FOUNDATIONS:
 Concrete grade C30-C40 mass fill.

Foundation sizes given are suited to sub-soils with good load bearing capabilities. Where adverse site conditions are met professional advice to be sought.

INSTALLATION:

1. Excavate suitable foundation as shown.
2. Position RhinoGuard 15-30 Ground Frames at specified centres and cast concrete C30 - C40.
3. Allow foundations to cure.
4. Secure Leg Sleeves to the Ground Frames using the M20 Hex Bolts supplied.
5. Reinstate surface finish up to and around the Leg Sleeves.
6. Secure the Seat Top to the Leg Sleeves using M10 fixings supplied.

ISOMETRIC VIEW
 N.T.S.



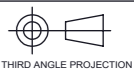
For operation and maintenance please refer to the **Marshalls Street Furniture Maintenance Guide**.

Unless otherwise stated: All Dimensions are in Millimetres
 Marshalls PLC reserves the right to change the specifications of any product detailed without prior notice.

Rev	Init	Revision Notes	ER No.	Date
A	IJ	1st Release		01/02/2022

Title:
 RG 15-30 Urbain Seat

Drawing No:
 PS-UB-SE-00115



Marshalls
 Premier Way,
 Lowfields Business Park,
 Elland, Halifax,
 West Yorks, HX5 9HT

TEL: 0870 600 2426
 EMAIL: mst.sales@marshalls.co.uk
 www.marshalls.co.uk/commercial

DRAWN BY: IJ **DATE:** 01/02/2022

DO NOT SCALE DRAWING

SCALE: 1:15@A3 **SHEET:** 1 of 1

REVISION:
 [A]